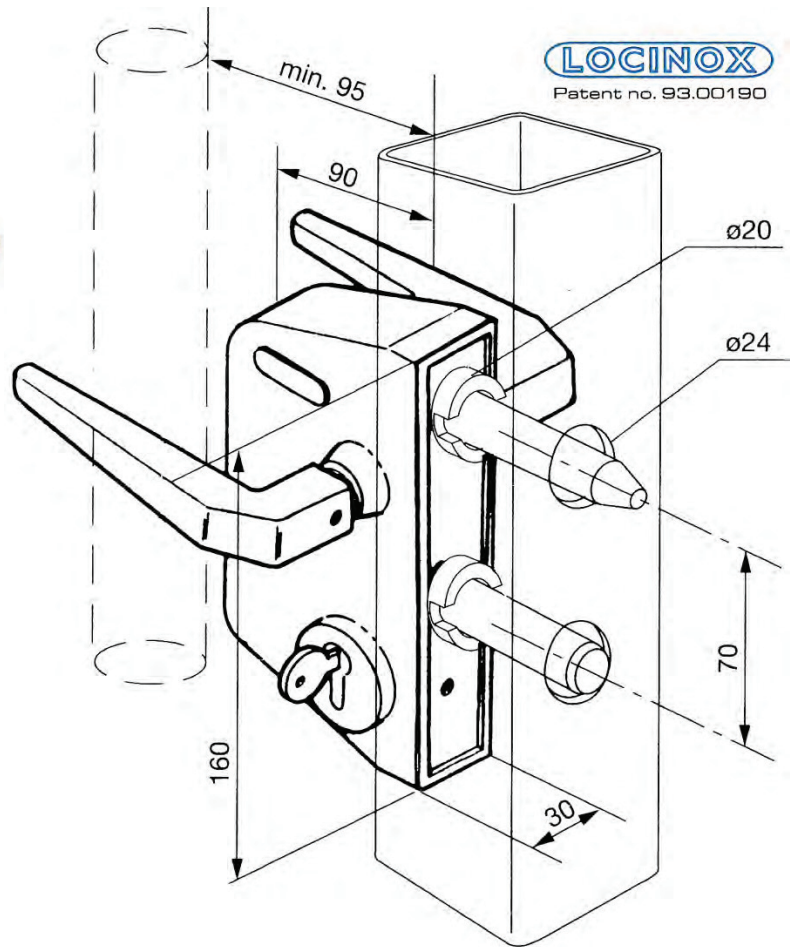


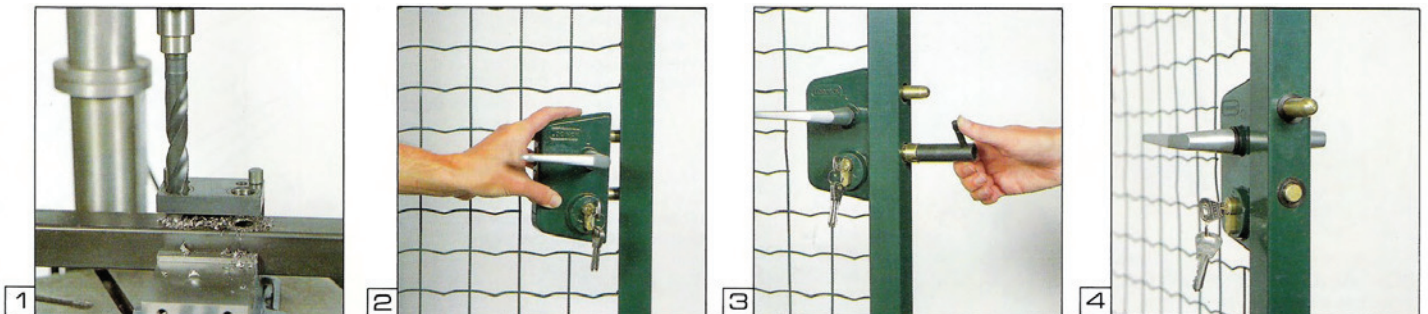
LOCINOX LOCK



Installation for Box Section:

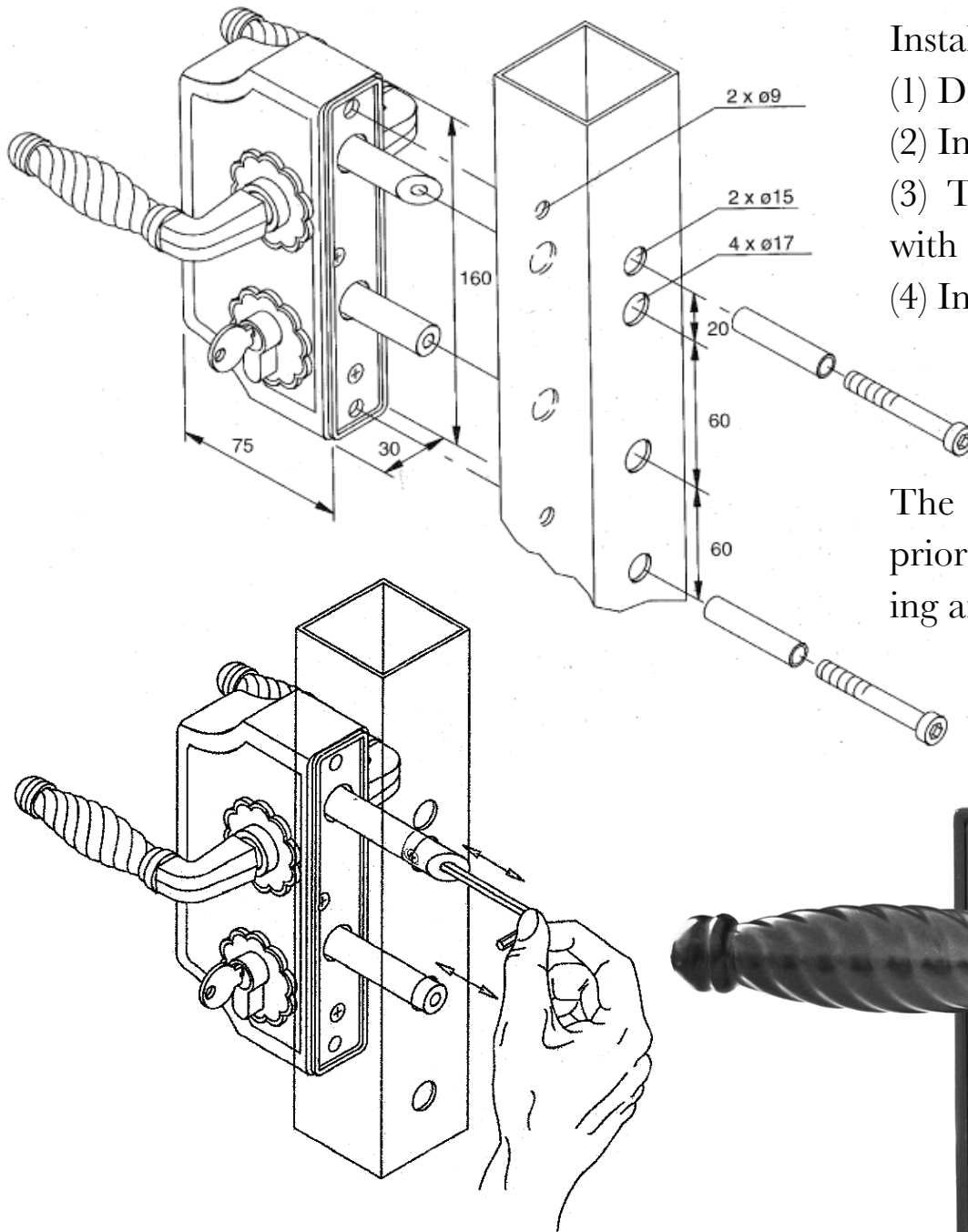
- (1) Drill 20 mm / 24 mm holes.
- (2) Insert lock.
- (3) Tighten concealed collar with spanner.
- (4) Insert grommets.

The gate can be predrilled prior to painting or galvanising and the lock fitted inside.



Part No.	Size	Price (Each)
LK 10	To suit solid section 10 mm	
LK 30	To suit box section 30/40 mm	

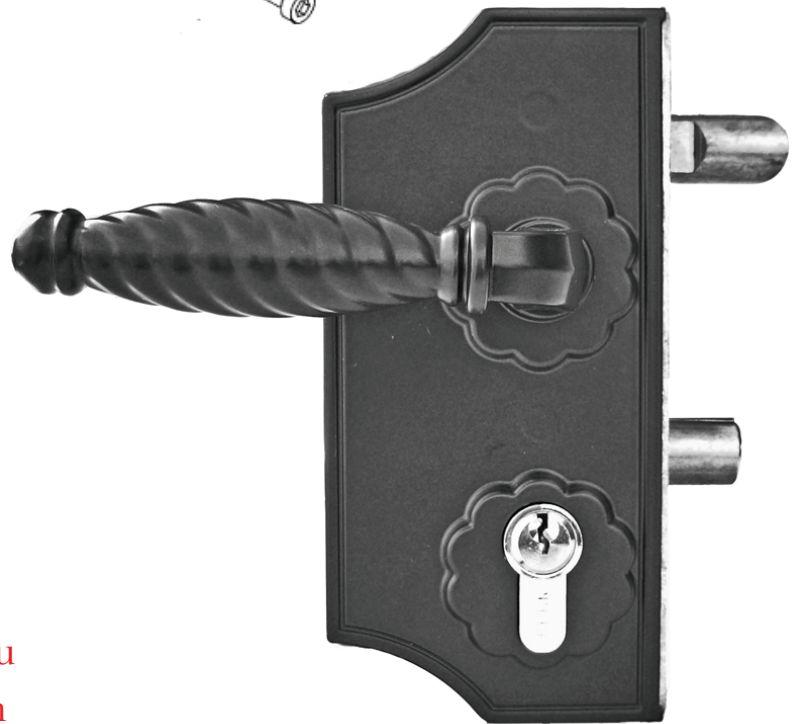
DECORATIVE LOCINOX LOCK



Installation for Box Section:

- (1) Drill 20mm / 24mm holes.
- (2) Insert lock.
- (3) Tighten concealed collar with spanner.
- (4) Insert grommets.

The gate can be predrilled prior to painting or galvanising and the lock fitted inside.



By simply putting a hex key (3 mm) in the self-latching and deadbolt, you can adjust them in length by 10 mm

Part No.	Size	Price (Each)
LK 10 Dec	Decorative - To suit solid section 10 mm	
LK 30 Dec	Decorative - To suit box section 30/40 mm	
LK 50 Dec	Decorative - To suit box section 50 mm	